

APPLICATION

SITUATION

DBS devices require DC voltages on the coax input or output connector and the RF signals must pass through the power inserter.

SOLUTION

Sonora power inserters couple regulated DC voltage on coax cables while allowing the DBS signal to pass through the inserter. DC Power originates from switching, short circuit protected transformers.

RELATED CONSIDERATIONS

DBS devices operate at a range of voltages and currents. Power supplies consist of a power transformer and a power inserter. DC can be inserted in one direction (HRFPI) or both directions (HRFPIB) on the coax. To power a AU9S dish use model HRPID1422A.

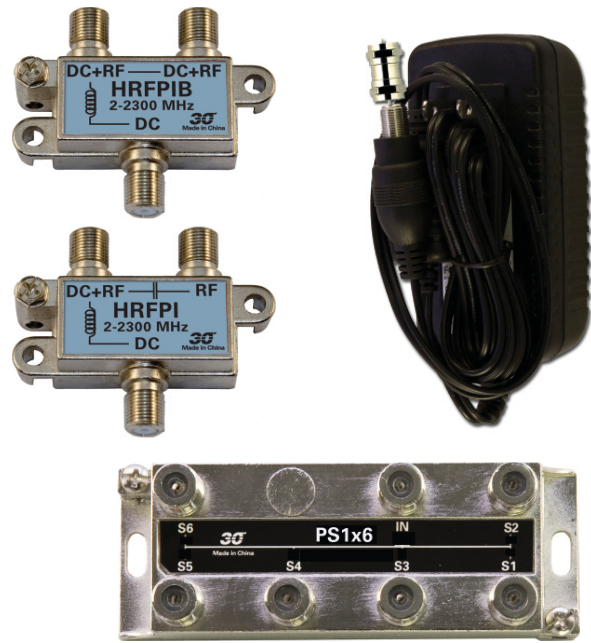
FEATURES

- *DBS compatibility*..... DBS Ka/Ku
- *Frequency Response* 2 MHz to 2400 MHz
- *Indoor/Outdoor Case*: Die cast RF shielded
- *Switching Power Supply*: short circuit protected
..... Regulated Output Voltage

MODELS

- HRFPI..... 2 -2400 MHz
..... (3) "F" single direction inserter
- HRFPIB..... 2 -2400 MHz
..... (3) "F" bi-directional inserter
- PS1x6..... DC Splitter
..... "F" DC IN to (6) "F" DC OUT
- PS12200..... 12 V, 0.2 Amp
..... linear un-regulated "F" connector transformer
- PS121000..... 12 V, 1.0 Amp
..... switching regulated "F" connector transformer
- PS201200..... 20 V, 1.2 Amp
..... switching regulated "F" connector transformer
- PS241000..... 24 V, 1.0 Amp
..... switching regulated "F" connector transformer

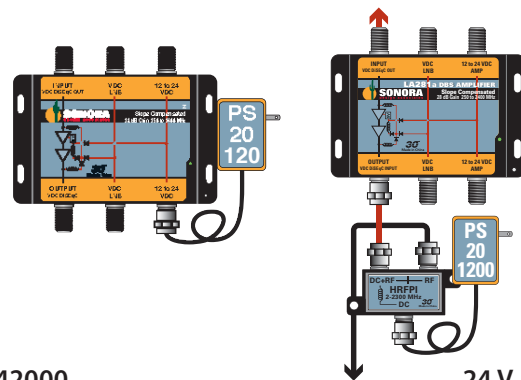
POWER SUPPLIES



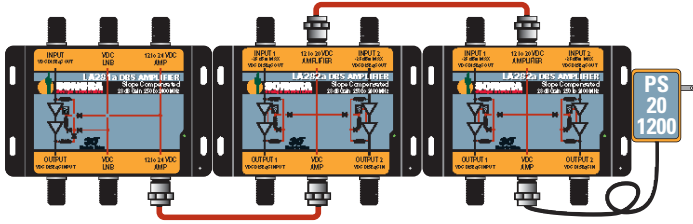
COAX DC INSERTERS

DESCRIPTION

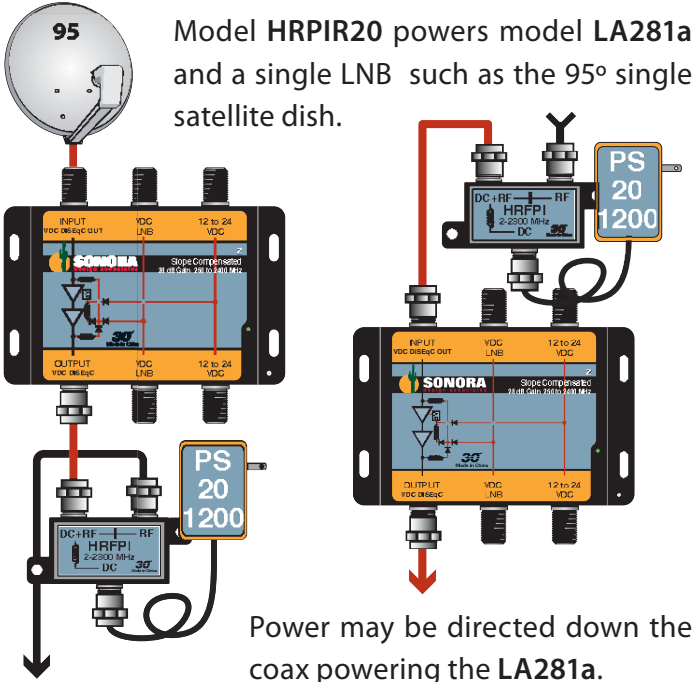
Power inserters couple DC power on coax cables to DBS LNBs, line amplifiers and switches.



- PS242000.....24 V, 2.0 Amp
.....switching regulated "F" connector transformer
- HRPIR2020 V, 1.2 Amp
.....& HRPI single direction inserter
- HRPIR20B.....20 V, 1.2 Amp
.....& HRPIB bidirectional inserter
- HRPIR24124 V, 1.0 Amp
.....& HRPI single direction inserter
- HRPIR241B.....24 V, 1.0 Amp
.....& HRPIB bidirectional inserter
- HRPIR24224 V, 2.0 Amp
.....& HRPI single direction inserter
- HRPIR242B.....24 V, 2.0 Amp
.....& HRPIB bidirectional inserter
- PS6-24200024 V, 2.0 Amp
.....& PS1x6 DC splitter



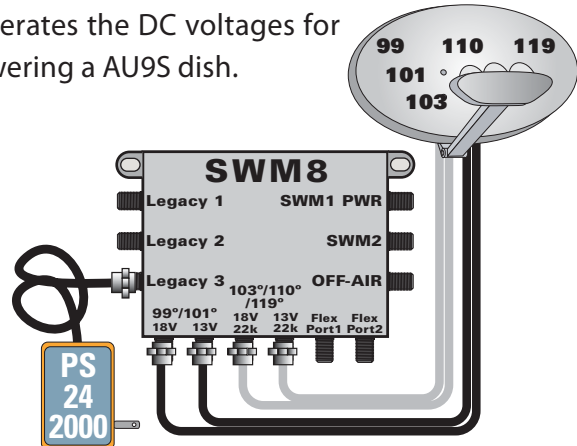
Model PS201200 provides 20 volts and 1.2 Amps to power (2) LA282a amplifiers and the LA281a. Total current consumed is 625 mA.



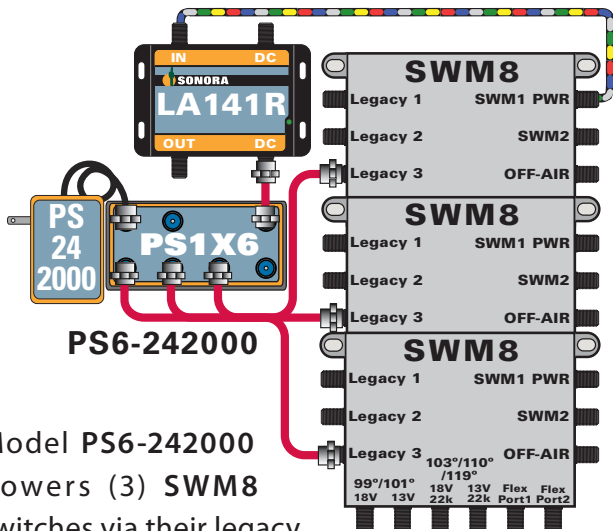
Model HRPIR20 powers model LA281a and a single LNB such as the 95° single satellite dish.

Power may be directed down the coax powering the LA281a.

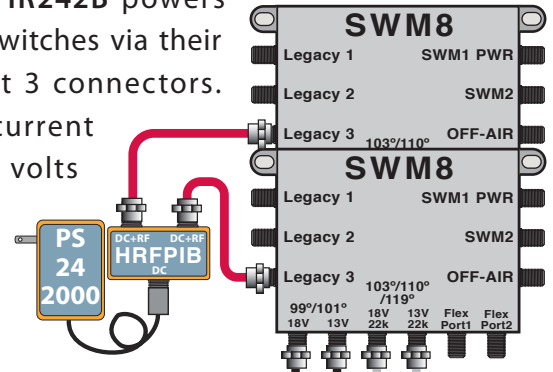
Model PS242000 powers a SWM8 switch via the Legacy 3 connector. The SWM8 generates the DC voltages for powering a AU9S dish.



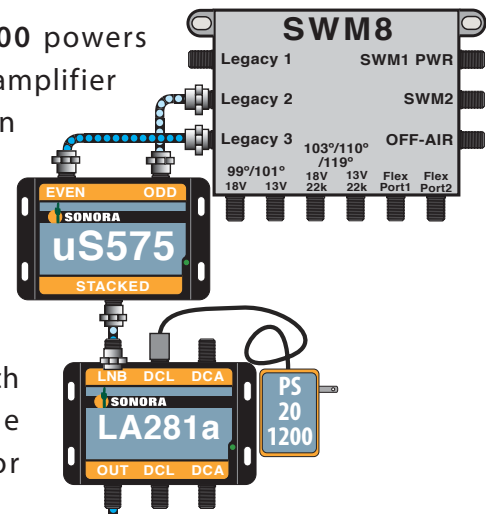
APPLICATIONS



Model HRPIR242B powers (2) SWM8 switches via their legacy port 3 connectors. The total current draw at 24 volts is less than 800 mA.



Model PS201200 powers a LA281a line amplifier which in turn powers the uS575 stacker. The stacker generates 20V and 13V to power the switch and select the 101° signals for stacking.



Model PS6-242000 powers (3) SWM8 switches via their legacy port 3 connector. The current draw is 1.2 Amps. The other (3) PS1x6 ports can be used to power model LA141R SWM extender amplifiers at 75 mA per amplifier.